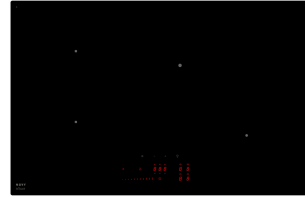


Induction - Power
4-zone 80 cm
Glass

EAN 5414425116331



Cooking Zones

- 4-zone
- Front left : 2100/3700 W - 240x200 mm
- Rear left : 2100/3700 W - 240x200 mm
- Front right : 2100/3700 W - 230 mm
- Rear right : 2100/3700 W - 280 mm

Functions & features

▪ InTouch function	Standard
▪ Bridge function	1
▪ Bridge activation	Automatic
▪ Grill function	-
▪ Chef function	-
▪ Pot move function	-
▪ Automatic pan recognition	▪
▪ Keep warm function (°C)	42°C, 70°C, 94°C
▪ Residual heat indication	▪
▪ Wipeguard function	-
▪ Childproof lock	▪
▪ Pause function	▪
▪ Timers	Minute minder, Timer per Zone, Count-up timer, Automatic cooking

Design

▪ Control method	Slider touch control
▪ Info display color	Red
▪ Glass edge	Bevelled
▪ Mounting method	Surface, Flushline

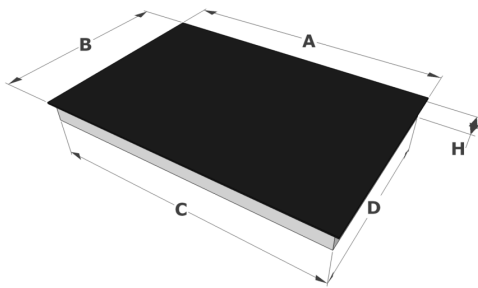
Dimensions

▪ Product dimensions (WxDxH) (mm)	800 x 520 x 51
▪ Cut-out worktop (WxD) (mm)	750 x 490

Technical specifications

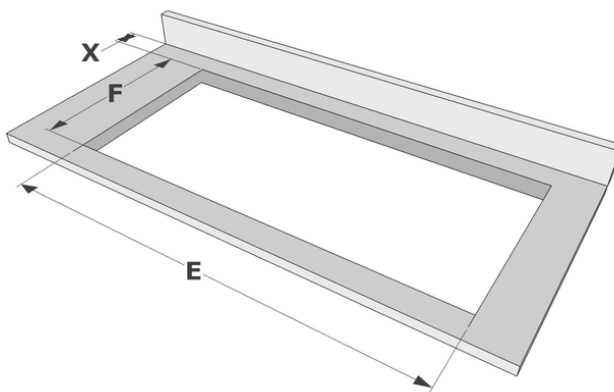
▪ Maximum power	7400
▪ Electrical connection	220-240V 1L+N 220-240V 2L 380-400V 2L+N/2N
▪ Frequency (Hz)	50-60
▪ Net weight (kg)	14

Dimensions



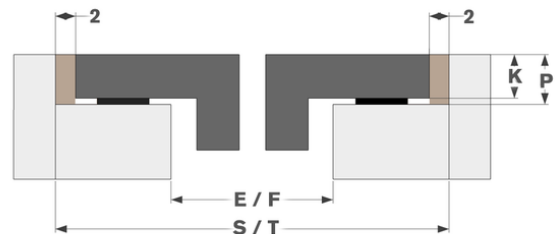
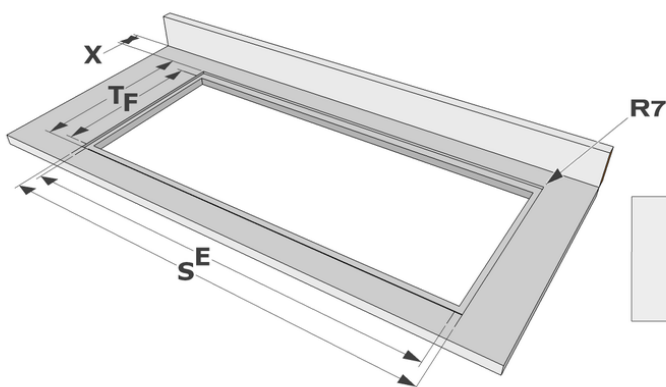
	A	B	C	D	H
mm	800	520	750	490	51

Surface



	E	F	K	P	X
mm	750	490	4	6	50

Flushline



	E	F	S	T	K	P	X
mm	750	490	804	524	4	6	50

Accessories

Cooking



1700092

Side profiles